

Trusted quality and design

KITO RY SERIES WIRE ROPE HOIST



“Safety” is the foundation of manufacturing of Kito hoist

Kito's manufacturing begins with a focus on customers' "safety".

How to enhance "safety" is considered in every step of Kito's technical innovation.

This design philosophy forms the basis of Kito's RY Series Wire Rope Hoist.

RY Series Wire Rope Hoist, inspired by Kito's strict standard for safety, will provide exceptional values for users all over the world.



Three elements of Kito hoists' "safety"

Kito believes that the following "three elements" are indispensable for safety of customers.

1. Supply quality products
2. Ensure that users understand safe and proper use
3. Ensure that users perform proper maintenance

Kito will continue to provide excellent services to customers in order to satisfy those elements above.



"Reliability" backed by experience

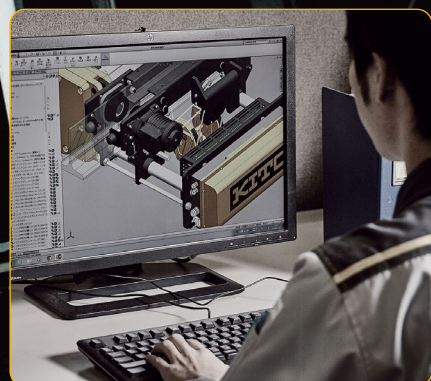
Based on the experience and the technology that have been cultivated through the history of manufacturing over a century, Kito provides reliable products to all over the world.

To assure the "quality"

Every effort is made to improve the quality by utilizing the know-how accumulated over the years. To provide high-quality products, Kito has established its original standard for quality which is implemented in manufacturing, design and sales.

Flexibility to meet the "needs"

Customized products are available to meet wide variety of customer needs. Kito will deliver "one of a kind" product that is suitable for every application environment.



Kito technology

RY Series is equipped with technologies and know-how accumulated through Kito's experience with electric chain hoists.

1. Minimizes the swing of a load with Kito's "original inverter control"

Kito's original inverter control makes a high level of safety and workability possible at the same time. Kito's original technology minimizes the drift in the load movement typical for an inverter control and stops the load at a minimum distance. Furthermore, the soft start/stop function* minimizes the swing of a load, contributing to work efficiency.

*:Applies to lifting/lowering and traversing operations.

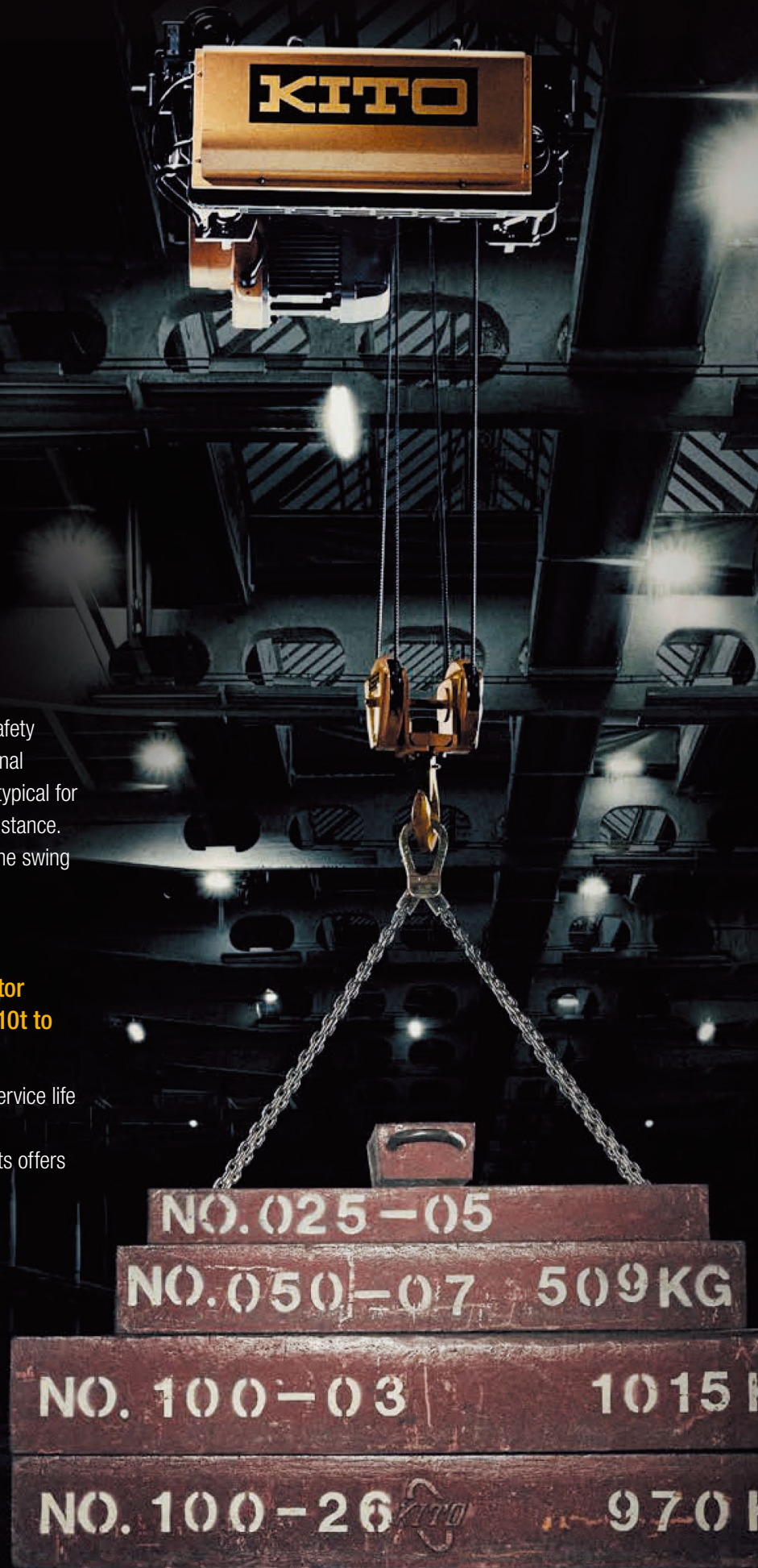
2. Equipped with a proven pull rotor type motor brake on 3t and 5t / magnetic disc brake on 10t to ensure a high level of safety

The high-performance brake securely holds a load; service life is optimized with the inverter operation.

The simple structure with minimal electric components offers stable operation that is essential for productivity.

3. Adopts aluminum casing to reduce weight

Low-pressure casting method is used to make a light-weight aluminum casing with excellent serviceability.



Inverter technology



Aluminum casing



Features of Kito RY Series Wire Rope Hoist

Safety

RY is equipped with cutting edge safety system and the control voltage has been lowered (3t and 5t: DC24V, 10t: AC24V) to ensure safety for the operators.

Design

A simple, modern and functional design accommodates wide variety of applications and demands.

Durability

Excellent durability and a long service life is offered by utilizing Kito's electric chain hoist technology and originally designed inverter.

Productivity

The low-load high-speed function with the inverter is provided for better efficiency. Smooth movement is enabled with the soft start/stop function.

Ease of operation

The ergonomic design makes it easy and effortless to use and provides comfortable operations even for long working hours.

Total cost

Maintenance time required is reduced by improved service life and serviceability, providing more value over time.

Product highlights

Safety

Equipped with the inverter as standard (lifting / lowering and traversing)

Smooth operation with the anti-jogging feature for lifting/lowering. The soft start/stop minimizes the swing of a load.

Electronic overload limiter

Detects overload instantaneously and shuts off the circuit for lifting.

Electronic thermal motor protection

Detects overheat and stops the operation to protect the motor.

Upper/lower limit switch

Upper/lower limits are externally adjustable to set the range of operation.

Rope guide

Full wrap rope guide keeps the rope securely in the groove.

Lower control voltage for the pendant

3t and 5t: DC24V, 10t: AC24V for improved safety

Durability

High-performance pull rotor type motor brake on 3t and 5t, magnetic disc brake on 10t

Durable brake rated for more than 1 million cycles.

Serviceability

CH meter (inverter built-in function)

The number of starts and operating hours are displayed on the LED, enabling users to perform maintenance and inspection in accordance with the frequency of use.



Low headroom model

Performance

Wire rope (high-strength wire rope)

Equipped with high-strength wire rope to reduce weight and size of the unit (5t models or higher).

Low-load high-speed function (lifting / lowering)

Operates at 1.5 times the rated speed with a load less than 25% of rated capacity for enhanced productivity.

Low headroom model

Minimum headroom for efficient use of work space. Suitable for crane girders with various flange widths.

Double girder model

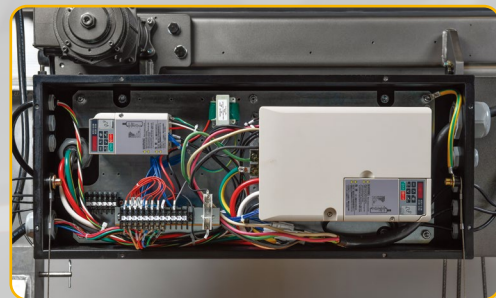
The trolley adopts a side roller system to prevent wear on wheels and crane rails.



Double girder model

Advantages of inverter

- Smooth movement
- Soft start/stop minimizes load swing.
- High and low speed adjustability. Max ratio of 6:1.
- Includes standard count hour meter that records and displays the number of lifting/lowering starts and hoist on time for preventative maintenance.
- **Electronic overload limiter:** Detects overload instantaneously and shuts off the circuit for lifting.
- **Electronic thermal motor protection:** Detects overheating and stops the motor.
- **Low-load high-speed function:** Operates at 1.5 times the standard high speed with a load less than 25% of rated capacity.
- Better maintainability



Inverter control – hoist and trolley

Lineup

Model \ Capacity	3 t	5 t	10 t
Low headroom	✓	✓	✓
Double girder	—	—	✓

Features of each part

Low-load high-speed function

Operates at 1.5 times the standard high speed with a load less than 25% of rated capacity.

Rope drum

Deep grooved, high strength drum for durability and long service life.

Full 360° rope guide

Made of a high strength polymer for durability, keeps the rope securely in the groove on the drum. Simple design makes replacement easy.

Externally adjustable upper/ Lower limit switches

Set the range of operation with easy adjustment.

Externally adjustable trolley motor and brake

IP55 totally enclosed non ventilated (TENV) motor with cooling fins ensures protection from dust and water and enhances motor life.

Premium wire rope (lwrc, coated core)*

Provides high resistance to fatigue and wear.

*Except 3tons



*Actual product comes with a drum cover. The picture shown is a low headroom model.

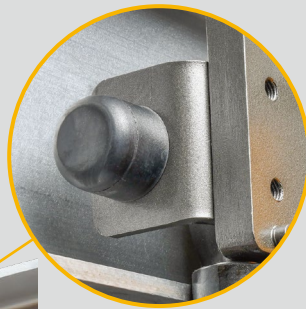
Double girder model

The trolley adopts a side roller system to prevent wear on wheels and crane rails.



Standard rubber trolley buffers

Provides protection from collisions.



Built-in bumpers

(Only low headroom model)

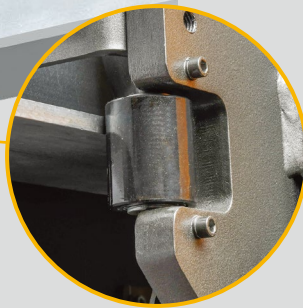
Security for the operator and the equipment.



Standard guide rollers

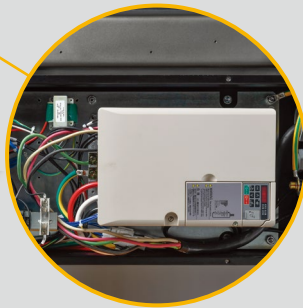
(Only low headroom model)

Reduce wheel friction and noise while providing smooth travel and increased life of wheel and beam.



Inverter control – hoist and trolley

Soft start/stop minimizes load swing.
High and low speed adjustability.
Max. ratio of 6:1.



Count hour meter

Records and displays the number of starts and hoist on time which is valuable for preventive maintenance.
Integral to the inverter.

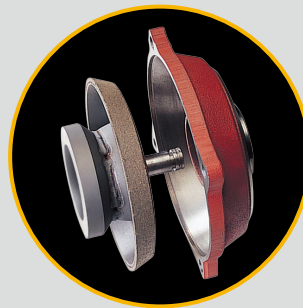
Electronic overload limiter

Detects overload instantaneously and shuts off the circuit for lifting.



Heavy duty hoist motor

Totally enclosed fan cooled (TEFC) motor with class F insulation and a ribbed frame for maximum cooling and durability. IP44 rating ensures a high level of protection from the entrance of dust and water.



Electronic thermal motor protection

Detects overheating and stops the motor.



High performance motor brakes

The Pull-Rotor motor brake on 3 and 5 Ton and Magnetic Disc Brake on 10 Ton provide reliable operation and exceptional durability.

Technical materials

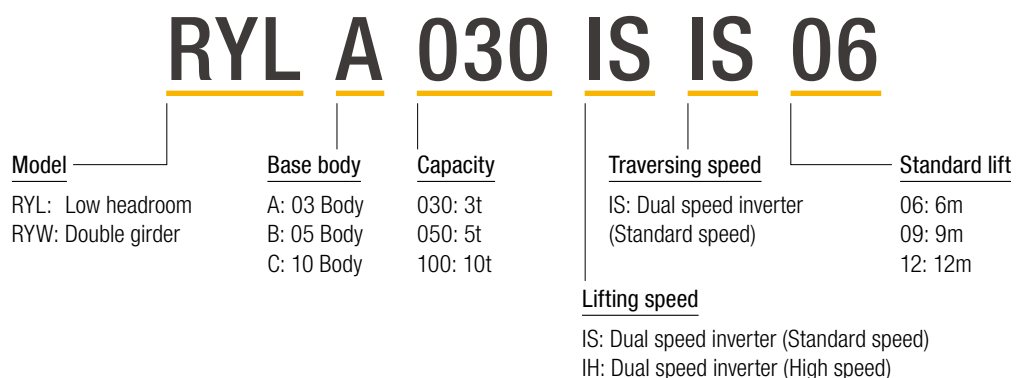
Model list for low headroom

Capacity (t)	Lifting speed	Flange width (mm)			
		125-175	176-350	150-350	351-500
3	Standard	✓	✓	–	✓
	High	✓	✓	–	✓
5	Standard	✓	✓	–	✓
	High	✓	✓	–	✓
10	Standard	–	–	✓	✓

Standard specification

Power supply	3Phase 200 - 230V 50/60Hz (Only low headroom model) 3Phase 380 - 440V 50/60Hz
Control voltage	3t / 5t: DC 24V 10t: AC 24V
Intermittent ratings	Lifting: 60%ED (high speed: 40%, low speed: 20%) 360 starts/hr Traversing: 30%ED (high speed: 20%, low speed: 10%)
Protection construction	IP44 (IP65 for push button switches)
Operation	Pendant control
Ambient temperature	-20°C to +40°C
Humidity	90%RH or less (no condensation)
Color	Kito Yellow (Equivalent to Munsell 7.2YR6.5/14.5), Kito Metallic Gray

Product code



Intermittent rating and start-up frequency

$$\text{Intermittent rating (\%ED)} = \frac{\text{Maximum time of operation allowed in 1 hour (min.)}}{60 \text{ min.}} \times 100$$

Start-up frequency = Maximum number of starts allowed in 1 hour

Hoist classifications

ISO

State of loading		Total duration of use (h)							
		200	400	800	1600	3200	6300	12500	25000
Light	Mechanisms subjected very rarely to the maximum load and, normally, to light loads	–	–	M1	M2	M3	M4	M5	M6
Moderate	Mechanisms subjected fairly frequently to the maximum load but, normally, to rather moderate loads	–	M1	M2	M3	M4	M5	M6	–
Heavy	Mechanisms subjected frequently to the maximum load and, normally, to loads of heavy magnitude	M1	M2	M3	M4	M5	M6	–	–
Very heavy	Mechanisms subjected regularly to the maximum load	M2	M3	M4	M5	M6	–	–	–

This classification refers to ISO 4301-1 and applies to the mechanical components including gears and bearings except for consumable parts. The grade symbols are identical to those of ASME HST-1M. (Performance standard for electric chain hoist)

Technical materials

Specification list for low headroom model

Capacity (t)	Product code	Standard lift (m)	Flange width (mm) ^{*1}	Lifting: Inverter operation				Traversing: Inverter operation			Wire rope			ISO	Weight				
				Motor		Speed		Motor		Speed	Rope diameter (mm)	Reeving	Construction		Main unit (kg) ^{*3}	Hook (kg)			
				Output (kW)	Intermittent rating (%ED)	With a rated load High / low speed m/s (m/min)	With a low load ^{*2} m/s (m/min)	Output (kW)	Intermittent rating (%ED)	High / low speed m/s (m/min)									
3	RYLA030ISIS06	6	125 to 175	3.5		0.083 / 0.014 (5.0 / 0.833)	0.125 (7.5)										375		
			176 to 350														380		
			351 to 500														385		
	RYLA030IHIS06	6	125 to 175	5.0		0.133 / 0.022 (8.0 / 1.333)	0.200 (12.0)											375	
			176 to 350															380	
			351 to 500															385	
	RYLA030ISIS09	9	125 to 175	3.5	40/20	0.083 / 0.014 (5.0 / 0.833)	0.125 (7.5)	0.25	20/10	0.333 / 0.056 (20 / 3.333)	Ø8	4/1	6 x Fi(29) B type JIS G 3525 1770N/mm ² (Standard wire rope)	M5				405	
			176 to 350															410	
			351 to 500															415	
	RYLA030IHIS09	9	125 to 175	5.0	40/20	0.133 / 0.022 (8.0 / 1.333)	0.200 (12.0)	0.25	20/10	0.333 / 0.056 (20 / 3.333)	Ø8	4/1	6 x Fi(29) B type JIS G 3525 1770N/mm ² (Standard wire rope)	M5				405	
			176 to 350															410	
			351 to 500															415	
RYLA030ISIS12	12	125 to 175	3.5		0.083 / 0.014 (5.0 / 0.833)	0.125 (7.5)											440		
		176 to 350															445		
		351 to 500															450		
RYLA030IHIS12	12	125 to 175	5.0		0.133 / 0.022 (8.0 / 1.333)	0.200 (12.0)											440		
		176 to 350															445		
		351 to 500															450		
5	RYLB050ISIS06	6	125 to 175	5.0		0.083 / 0.014 (5.0 / 0.833)	0.125 (7.5)											395	
			176 to 350															400	
			351 to 500															405	
	RYLB050IHIS06	6	125 to 175	8.0		0.133 / 0.022 (8.0 / 1.333)	0.200 (12.0)												415
			176 to 350																420
			351 to 500																425
	RYLB050ISIS09	9	125 to 175	5.0	40/20	0.083 / 0.014 (5.0 / 0.833)	0.125 (7.5)	0.4	20/10	0.333 / 0.056 (20 / 3.333)	Ø8	4/1	IWRC 6 x P/WS(26) Compliant with JIS G 3546 2160N/mm ² (High-strength wire rope)	M5				425	
			176 to 350															430	
			351 to 500															435	
	RYLB050IHIS09	9	125 to 175	8.0	40/20	0.133 / 0.022 (8.0 / 1.333)	0.200 (12.0)	0.4	20/10	0.333 / 0.056 (20 / 3.333)	Ø8	4/1	IWRC 6 x P/WS(26) Compliant with JIS G 3546 2160N/mm ² (High-strength wire rope)	M5				445	
			176 to 350															450	
			351 to 500															455	
RYLB050ISIS12	12	125 to 175	5.0		0.083 / 0.014 (5.0 / 0.833)	0.125 (7.5)											460		
		176 to 350															465		
		351 to 500															470		
RYLB050IHIS12	12	125 to 175	8.0		0.133 / 0.022 (8.0 / 1.333)	0.200 (12.0)											480		
		176 to 350															485		
		351 to 500															490		
10	RYLC100ISIS09	9	150 to 350	13.2	40/20	0.100 / 0.017 (6.0 / 1.0)	0.150 (9.0)	0.75	20/10	0.333 / 0.056 (20 / 3.333)	Ø13	4/1	IWRC 6 x P/WS(31) Compliant with JIS G 3546 2160N/mm ² (High-strength wire rope)	M5			1015		
			351 to 500														1025		
	RYLC100ISIS12	12	150 to 350	13.2	40/20	0.100 / 0.017 (6.0 / 1.0)	0.150 (9.0)	0.75	20/10	0.333 / 0.056 (20 / 3.333)	Ø13	4/1	IWRC 6 x P/WS(31) Compliant with JIS G 3546 2160N/mm ² (High-strength wire rope)	M5			1090		
			351 to 500														1100		

Specification list for double girder model

Capacity (t)	Product code	Standard lift (m)	Rail gauge (mm)	Bridge rail (mm) ^{*4}	Lifting: Inverter operation				Traversing: Inverter operation			Wire rope			ISO	Weight		
					Motor		Speed		Motor		Speed	Rope diameter (mm)	Reeving	Construction		Main unit (kg) ^{*3}	Hook (kg)	
					Output (kW)	Intermittent rating (%ED)	With a rated load High / low speed m/s (m/min)	With a low load ^{*2} m/s (m/min)	Output (kW)	Intermittent rating (%ED)	high / low m/s (m/min)							
10	RYWC100ISIS09	9	2000	50x50	13.2	40/20	0.100 / 0.017 (6.0 / 1.0)	0.150(9.0)	0.4x2	20/10	0.400 / 0.067 (24.0 / 4.0)	Ø13	4/1	IWRC 6 x P/WS(31) Compliant with JIS G 3546 2160N/mm ² (High-strength wire rope)	M5			1230
	RYWC100ISIS12	12																1260

*1: For other flange options, please inquire Kito distributor in your region.

*2: When a load is less than 25% of the rated capacity, 1.5 times faster than high speed.

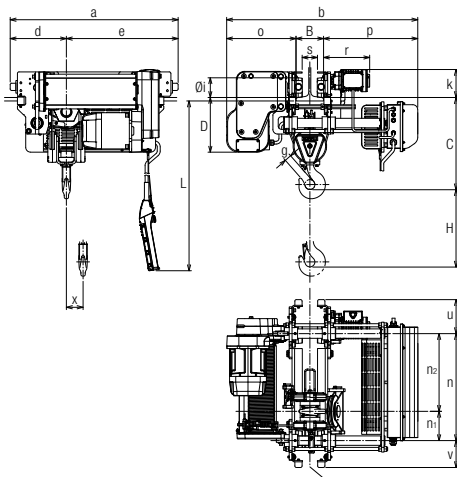
*3: Including the weight of the hook

*4: The details are on the drawing on page 13.

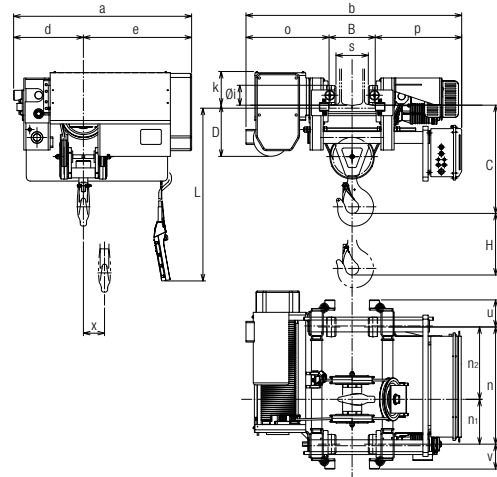
Dimension table for low headroom model (mm)

Capacity (t)	Product code	Standard lift H (m)	Flange width B	C	D	L	a	b	d	e	g	i	k	n	n ₁	n ₂	o	p	r	s	u	v	x		
3	RYLA030ISIS06 RYLA030IHIS06	6	125 to 175			5700	1067	1215		710								649 to 599						106	
			176 to 350					1390										773 to 599							
			351 to 500					1540										748 to 599							
	3	RYLA030ISIS09 RYLA030IHIS09	9	125 to 175	635	348	8700	1279	1215	357	922	43	Ø125	178	892	186	706	441	649 to 599	293	B-80	216	171	160	
				176 to 350					1390										773 to 599						
				351 to 500					1540										748 to 599						
3		RYLA030ISIS12 RYLA030IHIS12	12	125 to 175			11700	1491	1215		1134								649 to 599						213
				176 to 350					1390										773 to 599						
				351 to 500					1540										748 to 599						
	5	RYLB050ISIS06 RYLB050IHIS06	6	125 to 175			5700	1067	1215		710								649 to 599						106
				176 to 350					1390										773 to 599						
				351 to 500					1540										748 to 599						
5		RYLB050ISIS09 RYLB050IHIS09	9	125 to 175	650	348	8700	1279	1215	357	922	45	Ø125	186	892	186	706	441	649 to 599	342	B-80	216	171	160	
				176 to 350					1390										773 to 599						
				351 to 500					1540										748 to 599						
	5	RYLB050ISIS12 RYLB050IHIS12	12	125 to 175			11700	1491	1215		1134								649 to 599						213
				176 to 350					1390										773 to 599						
				351 to 500					1540										748 to 599						
10		RYLC100ISIS09	9	150 to 350	820	388	8700	1348	1633	528	820	72	Ø150	256	887	339	548	628	855 to 655	631	B-105	205	189	160	
				351 to 500					1783										804 to 655						
				150 to 350					1633										855 to 655						
	10	RYLC100ISIS12	12	150 to 350			11700	1563	1633		1035				1102		763		855 to 655						213
				351 to 500					1783										804 to 655						

•Select the flange width when purchasing the product.



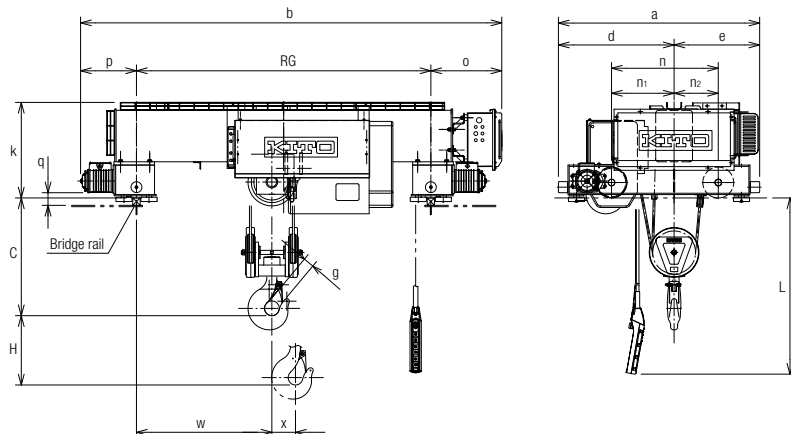
3t / 5t



10t

Dimension table for double girder model (mm)

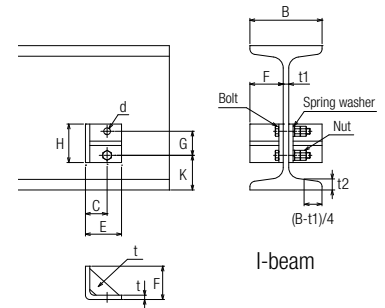
Capacity (t)	Product code	Standard lift H (m)	Rail gauge RG	C	L	a	b	d	e	g	k	n	n ₁	n ₂	o	p	q	w	x
10	RYWC100ISIS09	9	2000	800	8700	1367	2863	786	581	72	650	725	425	300	482	381	86	920	160.5
	RYWC100ISIS12	12			11700													805	214



Technical materials

Stopper dimension table for low headroom model (mm)

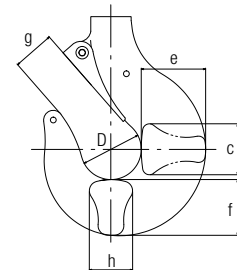
Capacity (t)	Product code	F*	Selection	H	E	G	C	B	t	K	Ød
3	RYLA030ISIS	(B-t1) /2	F≤90	80	C+25	50	40	125 to 500	9	t2+60	14 (M12)
	RYLA030IHIS		F>90	100	C+30	60	45				18 (M16)
5	RYLB050ISIS		F≤90	110	C+35	65	50				22 (M20)
	RYLB050IHIS		F>90	120	C+35	65	50				
10	RYLC100ISIS	(B-t1) /2+15	—	120	C+35	65	50	150 to 500			



*: Rounded down to a whole number

Hook dimension table (mm)

Capacity (t)	Product code	D	g	h	f	e	c
3	RYLA030ISIS	63	43	45	58	67	53
	RYLA030IHIS						
5	RYLB050ISIS	71	45	53	67	80	63
	RYLB050IHIS						
10	RYLC100ISIS	100	72	75	95	112	90
	RYWC100ISIS						



Rated current (A)

Capacity (t)	Product code	200-230V		380-440V	
		50Hz/60Hz		50Hz/60Hz	
		Lifting motor	Traversing motor	Lifting motor	Traversing motor
3	RYLA030ISIS	18.0	1.6	9.5	0.8
	RYLA030IHIS	29.5		15.0	
5	RYLB050ISIS	29.5	2.0	15.0	1.0
	RYLB050IHIS	46.0		24.0	
10	RYLC100ISIS	54.0	3.3	27.0	1.6
	RYWC100ISIS	—			1.0 x 2

Permissible cable length

Capacity (t)	Product code	200V Grade			400V Grade			
		Wire size (mm ²)	Permissible cable length (m)		Wire size (mm ²)	Permissible cable length (m)		
			50Hz / 60Hz			50Hz / 60Hz		
			220V	230V		380V	415V	440V
3	RYLA030ISIS	5.5 (8)	40 (58)	41 (60)	2 (3.5)	47 (83)	52 (91)	55 (97)
	RYLA030IHIS	8 (14)	36 (64)	38 (67)	3.5 (5.5)	54 (85)	59 (93)	63 (99)
5	RYLB050ISIS	8 (14)	36 (63)	37 (66)	3.5 (5.5)	53 (84)	58 (92)	62 (98)
	RYLB050IHIS	14 (22)	41 (65)	43 (68)	5.5 (8)	54 (78)	59 (86)	62 (91)
10	RYLC100ISIS	14 (22)	34 (54)	36 (57)	3.5 (5.5)	30 (47)	32 (51)	34 (54)
	RYWC100ISIS	—	—	—		29 (46)		

*Figures in () are for larger size.

Safety precautions

1

Installation

Installation of the hoist must be carried out only by a professional or a qualified personnel.

- Install the hoist only in an environment in which the hoist is intended for.
- Be sure to create a proper grounding connection.
- Be sure to attach stoppers at the ends of the trolley and crane beams.
- Make sure that the structural strength is sufficient at the site of installation.
- Do not modify the product and its accessories.

2

Regulation on use

Do not perform the following legally prohibited actions.

- Lifting more than rated load for the hoist.
- Lifting, supporting or transporting people.
- Lifting or supporting loads over people.

3

Selection of a model

Make sure to carefully check the listed specifications to select a model.

Consult Kito for specifications not covered in this guide.

- Ensure that the voltage of the power supply is proper for the hoist.
- Do not operate the hoist beyond its duty rating (intermittent rating and start-up frequency).

4

Legal requirements regarding inspection

The following actions are required for users of the hoist.

- Implementation of daily inspection.
- Implementation of monthly and yearly self-inspection.
- Storage of the monthly and yearly self-inspection record for three years.

5

Other

- Make sure to understand the information and the warnings in the Owner's manual provided with the product before use.



Head office & factory

2000 Tsujijarai Showa-Cho, Nakakoma-Gun, Yamanashi 409-3853, Japan
TEL: +81-55-275-7521 FAX: +81-55-275-6162

Tokyo head office

SHINJUKU NS Bldg. 9F, 2-4-1 Nishi-Shinjuku, Shinjuku-ku, Tokyo 163-0809, Japan
TEL: +81-3-5908-0180 FAX: +81-3-5908-0189
kito.co.jp/en Kito global website: kitocrosby.com

International Sales Subsidiaries

U.S.A.

Harrington

401 West End Avenue, Manheim, PA 17545, U.S.A.
TEL: +1-717-665-2000 FAX: +1-717-665-2861
harringtonhoists.com

Peerless

1416 East Sanborn St. Winona, MN 55987, U.S.A.
TEL: +1-800-873-1916 FAX: +1-800-356-1149
peerlesschain.com

CANADA

Kito Canada

309-3815 1st Ave., Burnaby, BC V5C 3V6, Canada
TEL: +1-604-291-9955 FAX: +1-604-294-8855
kito.ca

BRAZIL

Kito Brazil

Unidades 37-38 do CLE – CENTRO LOGISTICO EMBU
Rua José Semião Rodrigues Agostinho, 1370,
Bairro Água Espraiada – Embu das Artes, SP, Brasil
TEL: +55-11-3253-1000 FAX: +55-11-3253-1008
kito.com.br/

GERMANY

Kito Europe

Heerdter Lohweg 93, D-40549 Düsseldorf, Germany
TEL: +49-(0)211-528009-00 FAX: +49-(0)211-528009-59
kito.net

ITALIA

Kito Chain Italia

Via Giuseppe Verdi 11, 33018, Tarvisio (Ud), Italia
TEL: +39-(0)428-4171 FAX: +39-(0)428-417301
kitochainitalia.com

FINLAND

Kito Erikkila

Masalantie 225, 02430, Masala, Finland
TEL: +358-9-2219-0530 FAX: +358-9-297-5021
erikkila.com

NETHERLANDS

Kito Van Leusden

Parelhoenweg 2 NL - 4791 PA Klundert
Harbour number M457 A The Netherlands
TEL: +31-168-385-225 FAX: +31-168-385-230
vanleusden.com

AUSTRALIA

Kito PWB

441 Grimshaw Street, Bundoora, VIC 3083, Australia
TEL: +61-1300-792-262 FAX: +61-3-9467-7290
kitoawb.com.au/

CHINA

Jiangyin Kito

18 Cheng Jiang East Road, Jiang Yin, Jiang Su 214429, China
TEL: +86-510-86199700 FAX: +86-510-86196633
kaicheng.com

Kito Shanghai

Room 11J, Zao-Fong Universe Building,
No1800 ZhongShan West Road Shanghai 200235, China
TEL: +86-21-54488935 FAX: +86-21-54488937
kito.com.cn

TAIWAN

Kito Taiwan

12F-1, 128c sec. 3, Ming-Shen East Road, Taipei, Taiwan 10596
TEL: +886-2-2719-7616 FAX: +886-2-2719-6900
tw.kito.com

KOREA

Kito Korea

3Dong 903, 15, Pangyo-Ro 228Beon-gil, Bundang-gu,
Seongnam-si, Gyeonggi-do, Korea 13487
TEL: +82-31-600-7450 FAX: +82-31-600-7469
kito.kr

THAILAND

Siam Kito

205 M.2, T.Klongtumru, A.Muangchonburi, Chonburi 20000, Thailand
TEL: +66-3819-5711 FAX: +66-3846-8195
siamkito.co.th

INDIA

Kito India

#118/2, 80 Feet Road, Jakkur Post,
Yelahanka Hobli, Bengaluru – 560064, Karnataka, India
TEL: +91-80-2950-3090
kito.co.in

INDONESIA

Kito Indonesia

JL. Kenari Raya Block G2-10A, Delta Silicon 5, Lippo Cikarang, Bekasi, Indonesia
TEL: +62-21-2961-2150 FAX: +62-21-2961-2151
id.kito.com/id

- The functions and performance of the products mentioned in the catalog have been designed based on the related regulations and standards. If they are used for other than their intended purposes such as being integrated into your equipment, we will not take any responsibility for accidents attributable to their unintended usages as well as guarantee their performance and functions. Never remodel our products.
- When you want to use our products for special purposes, consult us in advance.
- When you want to export our products, consult us in advance. There are different standards and regulations from one destination to another.
- It is prohibited to reprint, copy or divert all the information in this catalog (product patents, trademarks, photos, designs, copies, illustrations, etc.) without our consent.
- The specifications in this catalog are partly subject to change without prior notice.
- Product specifications may vary depending on the country. For more details please contact the nearest Kito dealer.