

# **KITO GEARED TROLLEY**

## **TS SERIES 7.5t TO 20t**

**Model TS1B(Tapered flange wheel)**

**Model TS1Z(Flat flange wheel)**

# **PARTS**

# **LIST**

### **IMPORTANT**

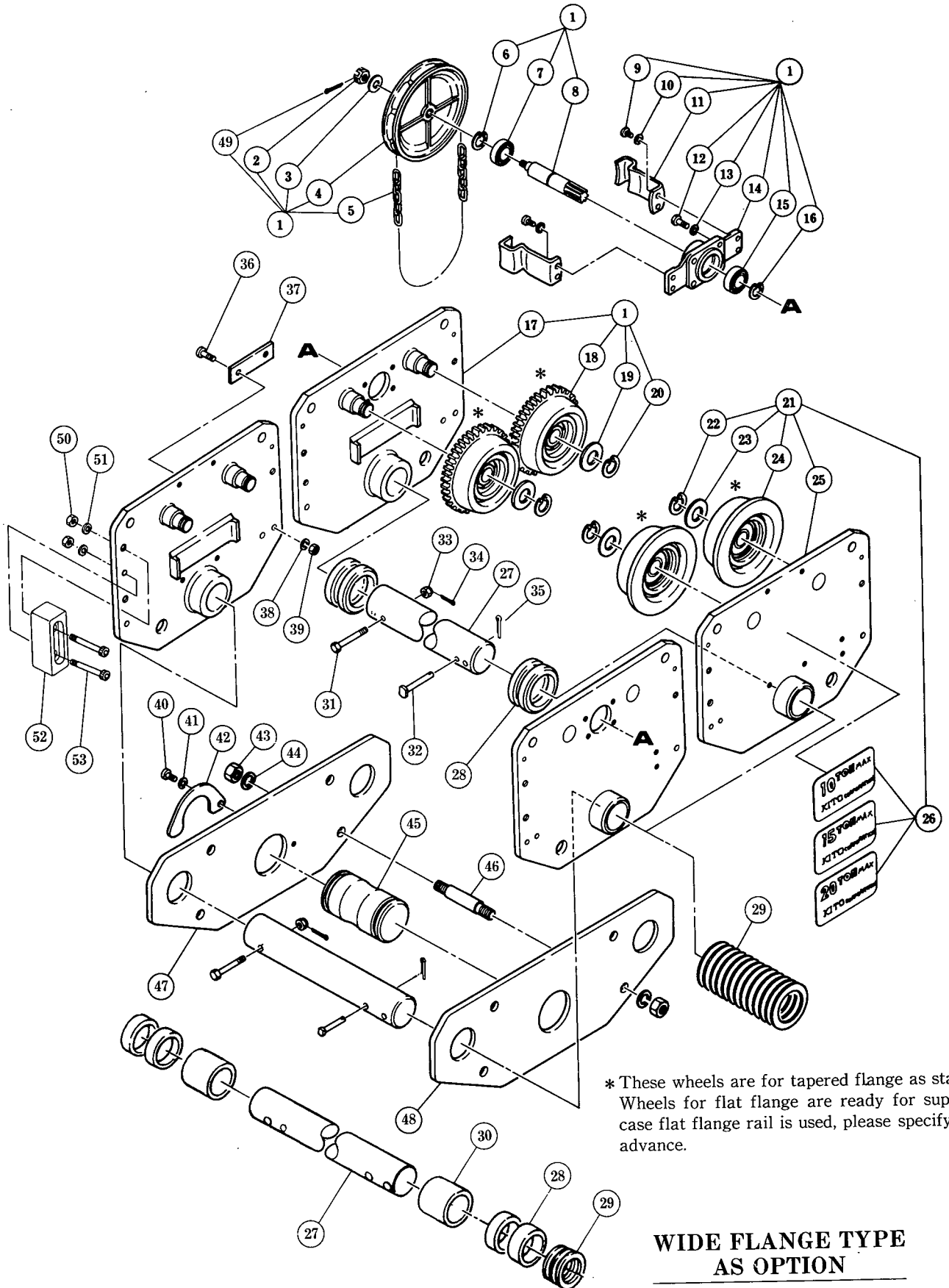
When ordering replacement parts, please specify the following points:

1. Trolley capacity.
2. Model number in name plate.
3. Correct part names and numbers.
4. Lineal length of hand chain.

### **NOTE**

Every trolley has two kind of track wheel which should be applied separately depending on beam flange type that is tapered or flat.

# A FOR MANUAL HOIST CB SERIES

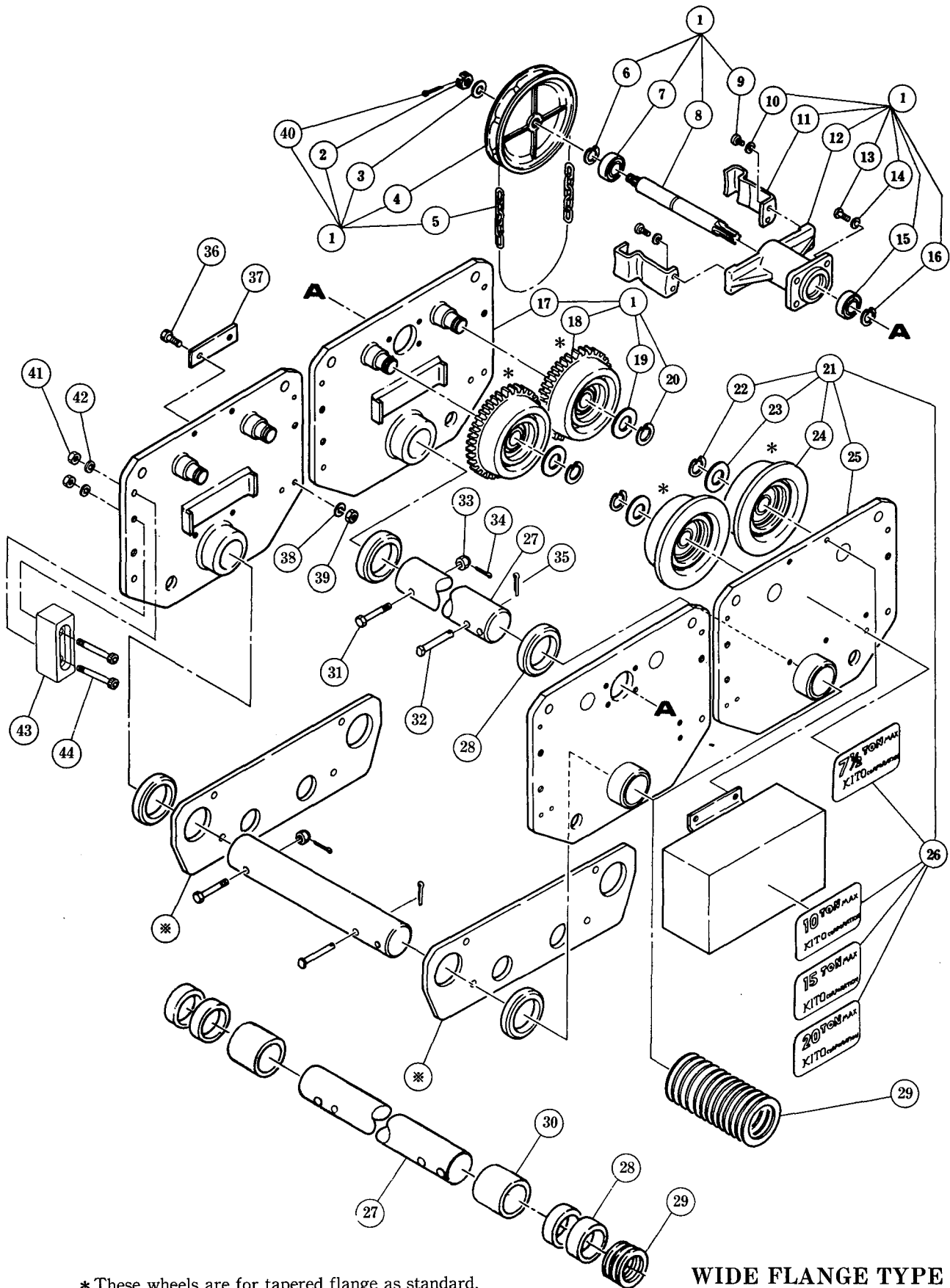


| Fig No. | Part No.     | Part Name                 | Nos per Trolley        |         |     | Capacity |     |     |  |
|---------|--------------|---------------------------|------------------------|---------|-----|----------|-----|-----|--|
|         |              |                           | 7.5',10'               | 15'     | 20' | 7.5',10' | 15' | 20' |  |
| 1       | T3G1111      | Side plate G complete set | 1                      | 2       |     | 1 a      |     |     |  |
|         | T3G151       | Slotted nut               | 1                      | 2       |     | 2 a      |     |     |  |
|         | T3G152       | Washer                    | 1                      | 2       |     | 3 a      |     |     |  |
|         | T3G123       | Hand wheel                | 1                      | 2       |     | 4 a      |     |     |  |
|         | CF842        | Hand chain                | 1                      | 2       |     | 5 a      |     |     |  |
|         | T3G132       | Snap ring                 | 2                      | 4       |     | 6 a      |     |     |  |
|         | T3G131       | Ball bearing              | 2                      | 4       |     | 7 a      |     |     |  |
|         | T3G127       | Pinion                    | 1                      | 2       |     | 8 a      |     |     |  |
|         | T3G163       | Socket bolt               | 4                      | 8       |     | 9 a      |     |     |  |
|         | E6F854       | Spring washer             | 4                      | 8       |     | 10a      |     |     |  |
|         | T3G125       | Hand chain guide          | 2                      | 4       |     | 11a      |     |     |  |
|         | M6F575       | Socket bolt               | 4                      | 8       |     | 12a      |     |     |  |
|         | M6F576       | Spring washer             | 4                      | 8       |     | 13a      |     |     |  |
|         | T3G128       | Pinion holder             | 1                      | 2       |     | 14a      |     |     |  |
|         | T3G131       | Ball bearing              | 2                      | 4       |     | 15a      |     |     |  |
|         | T3G132       | Snap ring                 | 2                      | 4       |     | 16a      |     |     |  |
|         | T3G5111      | Side plate G assembly     | 1                      | 2       |     | 17a      |     |     |  |
|         | 18           | T3G1101                   | Track wheel G assembly | 1B*     | 2B* |          | 18a |     |  |
|         |              | T3G1108                   |                        | 1Z*     | 2Z* |          | 18a |     |  |
|         | T3G104       | Washer                    | 4                      | 8       |     | 19a      |     |     |  |
| T3G106  | Snap ring    | 4                         | 8                      |         | 20a |          |     |     |  |
| 21      | T3G1110      | Side plate S complete set | 1                      | 2       |     | 21a      |     |     |  |
|         | T3G106       | Snap ring                 | 4                      | 8       |     | 22a      |     |     |  |
|         | T3G104       | Washer                    | 4                      | 8       |     | 23a      |     |     |  |
|         | 24           | T3G1102                   | Track wheel S assembly | 2B*     | 4B* |          | 24a |     |  |
|         |              | T3G1109                   |                        | 2Z*     | 4Z* |          | 24a |     |  |
|         | T3G5110      | Side plate S assembly     | 1                      | 2       |     | 25a      |     |     |  |
| T3G801  | Name plate B | 1                         | 1                      |         | 26a | 26b      | 26c |     |  |
| 27      | MS115        | Suspension shaft          | 1                      | 2       |     | 27a      |     |     |  |
|         | MS181        |                           | 1 {W}                  | 2 {W}   |     | 27aw     |     |     |  |
| 28      | MS117        | Thick spacer              | 8 9{W}                 | 3 11{W} |     | 28a      |     |     |  |
| 29      | MS118        | Thin spacer               | 8                      | 10 8{W} |     | 29a      |     |     |  |
| 30      | MS182        | Fixing spacer             | 2 {W}                  |         |     | 30a      |     |     |  |
| 31      | MS161        | Bolt                      | 1                      | 2       |     | 31a      |     |     |  |
| 32      | MS164        | Shaft stopper pin         | 1                      | 2       |     | 32a      |     |     |  |
| 33      | T3G154       | Slotted nut               | 1                      | 2       |     | 33a      |     |     |  |
| 34      | T3G155       | Split pin                 | 1                      | 2       |     | 34a      |     |     |  |
| 35      | T3G157       | Split pin                 | 1                      | 2       |     | 35a      |     |     |  |
| 36      | MS106        | Bolt                      |                        | 4       |     |          | 36a |     |  |
| 37      | MS105        | Connection plate          |                        | 2       |     |          | 37a |     |  |
| 38      | MS174        | Spring washer             |                        | 4       |     |          | 38a |     |  |
| 39      | MS173        | Nut                       |                        | 4       |     |          | 39a |     |  |
| 40      | T3G168       | Bolt                      |                        | 1       |     |          | 40a |     |  |
| 41      | E6F854       | Spring washer             |                        | 1       |     |          | 41a |     |  |
| 42      | T3G145       | Key plate                 |                        | 1       |     |          | 42a |     |  |
| 43      | E6S081       | Nut                       |                        | 8       |     |          | 43a |     |  |
| 44      | E6S082       | Spring washer             |                        | 8       |     |          | 44a |     |  |
| 45      | T3G144       | Suspension shaft          |                        | 1       |     |          | 45a |     |  |
| 46      | T3G143       | Stay bolt                 |                        | 4       |     |          | 46a |     |  |
| 47      | T3G141       | Suspension plate A        |                        | 1       |     |          | 47a |     |  |
| 48      | T3G142       | Suspension plate B        |                        | 1       |     |          | 48a |     |  |
| 49      | T3G160       | Split pin                 | 1                      | 2       |     | 49a      |     |     |  |
| 50      | T5G144       | Nut                       | 8                      | 8       |     | 50a      |     |     |  |
| 51      | T5G143       | Spring washer             | 8                      | 8       |     | 51a      |     |     |  |
| 52      | T5G141       | Bumper                    | 4                      | 4       |     | 52a      |     |     |  |
| 53      | T5G142       | Socket bolt               | 8                      | 8       |     | 53a      |     |     |  |

Note : {W} indicates wide flange type

\* : Symbol Z means track wheel applied to flat flange rail ; symbol B to tapered flange rail.

# B FOR ELECTRIC HOIST ES SERIES



\* These wheels are for tapered flange as standard,  
Wheels for flat flange are ready for supply,  
In case flat flange rail is used, please specify it  
in advance.

**WIDE FLANGE TYPE  
AS OPTION**

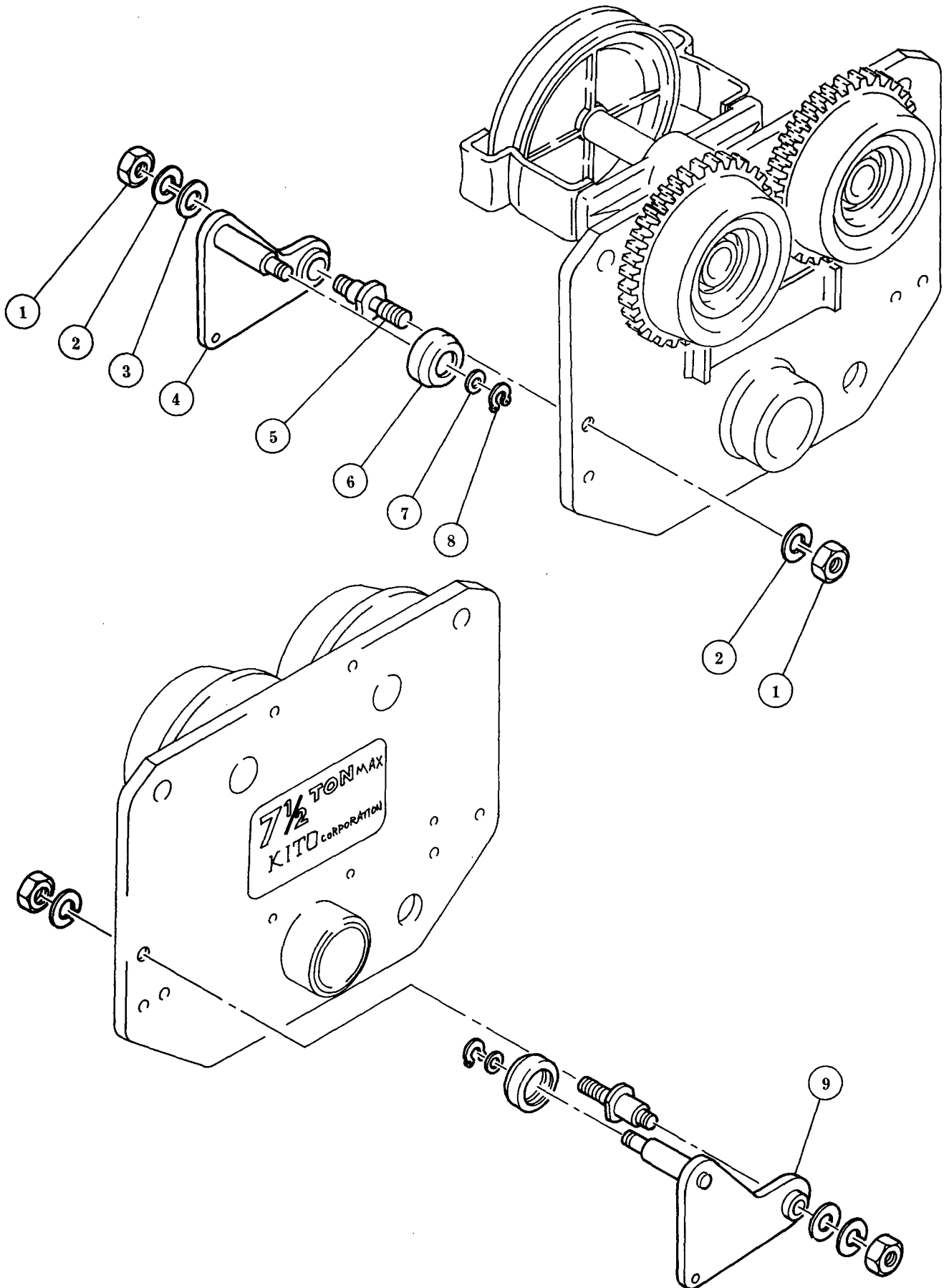
| Fig No. | Part No.                   | Part Name                 | Nos per Trolley |          |         | Capacity |        |        |     |
|---------|----------------------------|---------------------------|-----------------|----------|---------|----------|--------|--------|-----|
|         |                            |                           | 7.5', 10'       | 15'      | 20'     | 7.5'     | 10'    | 15'    | 20' |
| 1       | T3G1111                    | Side plate G complete set | 1               | 2        | 1 a     |          |        |        |     |
| 2       | T3G151                     | Slotted nut               | 1               | 2        | P2-2a   |          |        |        |     |
| 3       | T3G152                     | Washer                    | 1               | 2        | P2-3a   |          |        |        |     |
| 4       | T3G123                     | Hand wheel                | 1               | 2        | P2-4a   |          |        |        |     |
| 5       | CF842                      | Hand chain                | 1               | 2        | P2-5a   |          |        |        |     |
| 6       | T3G132                     | Snap ring                 | 2               | 4        | P2-6a   |          |        |        |     |
| 7       | T3G131                     | Ball bearing              | 2               | 4        | P2-7a   |          |        |        |     |
| 8       | T3G121                     | Pinion                    | 1               | 2        | 8a      |          |        |        |     |
| 9       | T3G163                     | Socket bolt               | 4               | 8        | P2-9a   |          |        |        |     |
| 10      | E6F854                     | Spring washer             | 4               | 8        | P2-10a  |          |        |        |     |
| 11      | T3G125                     | Hand chain guide          | 2               | 4        | P2-11a  |          |        |        |     |
| 12      | T3G122                     | Pinion holder             | 1               | 2        | 12a     |          |        |        |     |
| 13      | M6F575                     | Socket bolt               | 4               | 8        | P2-12a  |          |        |        |     |
| 14      | M6F576                     | Spring washer             | 4               | 8        | P2-13a  |          |        |        |     |
| 15      | T3G131                     | Ball bearing              | 2               | 4        | P2-15a  |          |        |        |     |
| 16      | T3G132                     | Snap ring                 | 2               | 4        | P2-16a  |          |        |        |     |
| 17      | T3G5111                    | Side plate G assembly     | 1               | 2        | P2-17a  |          |        |        |     |
| 18      | T3G1101                    | Track wheel G assembly    | 1B*             | 2B*      | P2-18a  |          |        |        |     |
|         | T3G1108                    |                           | 1Z*             | 2Z*      |         |          |        |        |     |
| 19      | T3G104                     | Washer                    | 4               | 8        | P2-19a  |          |        |        |     |
| 20      | T3G106                     | Snap ring                 | 4               | 8        | P2-20a  |          |        |        |     |
| 21      | T3G1110                    | Side plate S complete set | 1               | 2        | P2-21a  |          |        |        |     |
| 22      | T3G106                     | Snap ring                 | 4               | 8        | P2-22a  |          |        |        |     |
| 23      | T3G104                     | Washer                    | 4               | 8        | P2-23a  |          |        |        |     |
| 24      | T3G1102                    | Track wheel S assembly    | 2B*             | 4B*      | P2-24a  |          |        |        |     |
|         | T3G1109                    |                           | 2Z*             | 4Z*      |         |          |        |        |     |
| 25      | T3G5110                    | Side plate S assembly     | 1               | 2        | P2-25a  |          |        |        |     |
| 26      | T3G801                     | Name plate B              | 1               | 1        | 26a     | P2-26a   | P2-26b | P2-26c |     |
| 27      | MS115                      | Suspension shaft          | 1               | 2        | P2-27a  |          |        |        |     |
|         | MS181                      |                           | 1 [W]           | 2 [W]    | P2-27aw |          |        |        |     |
| 28      | MS117                      | Thin spacer               | 6 7 [W]         | 12 14[W] | P2- 28a |          |        |        |     |
| 29      | MS118                      | Thick spacer              | 8               | 16       | P2-29a  |          |        |        |     |
| 30      | MS182                      | Fixing spacer             | 2 [W]           | 4 [W]    | P2-30a  |          |        |        |     |
| 31      | MS161                      | Bolt                      | 1               | 2        | P2-31a  |          |        |        |     |
| 32      | MS164                      | Shaft stopper pin         | 1               | 2        | P2-32a  |          |        |        |     |
| 33      | T3G154                     | Slotted nut               | 1               | 2        | P2-33a  |          |        |        |     |
| 34      | T3G155                     | Split pin                 | 1               | 2        | P2-34a  |          |        |        |     |
| 35      | T3G157                     | Split pin                 | 1               | 2        | P2-35a  |          |        |        |     |
| 36      | MS106                      | Bolt                      |                 | 4        |         | P2-36a   |        |        |     |
| 37      | MS105                      | Connection plate          |                 | 2        |         | P2-37a   |        |        |     |
| 38      | MS174                      | Spring washer             |                 | 4        |         | P2-38a   |        |        |     |
| 39      | T3G170                     | Nut                       |                 | 4        |         | P2-39a   |        |        |     |
| 40      | T3G161                     | Split pin                 | 1               | 2        | P2-49a  |          |        |        |     |
| 41      | T5G144                     | Nut                       | 8               | 8        | 41a     |          |        |        |     |
| 42      | T5G143                     | Spring washer             | 8               | 8        | 42a     |          |        |        |     |
| 43      | T5G141                     | Bumper                    | 4               | 4        | 43a     |          |        |        |     |
| 44      | T5G142                     | Socket bolt               | 8               | 8        | 44a     |          |        |        |     |
| ※       | Refer to hoist parts list. |                           |                 |          |         |          |        |        |     |

Note : P2 shown in capacity column means page 2.

: [W] indicates wide flange type

\* : Symbol Z means track wheel applied to flat flange rail ; symbol B to flat flange rail.

C OPTIONAL PARTS FOR ELECTRIC HOIST ES 7.5T





**KITO**

URL. <http://www.kito.co.jp>